

LM16255

Character Type LCD Module

Features

- 16 characters x 2 lines
- 5 x 7 dots with cursor
- TN type LCD (Reflective)
- Suitable for telephone, facsimile etc.,

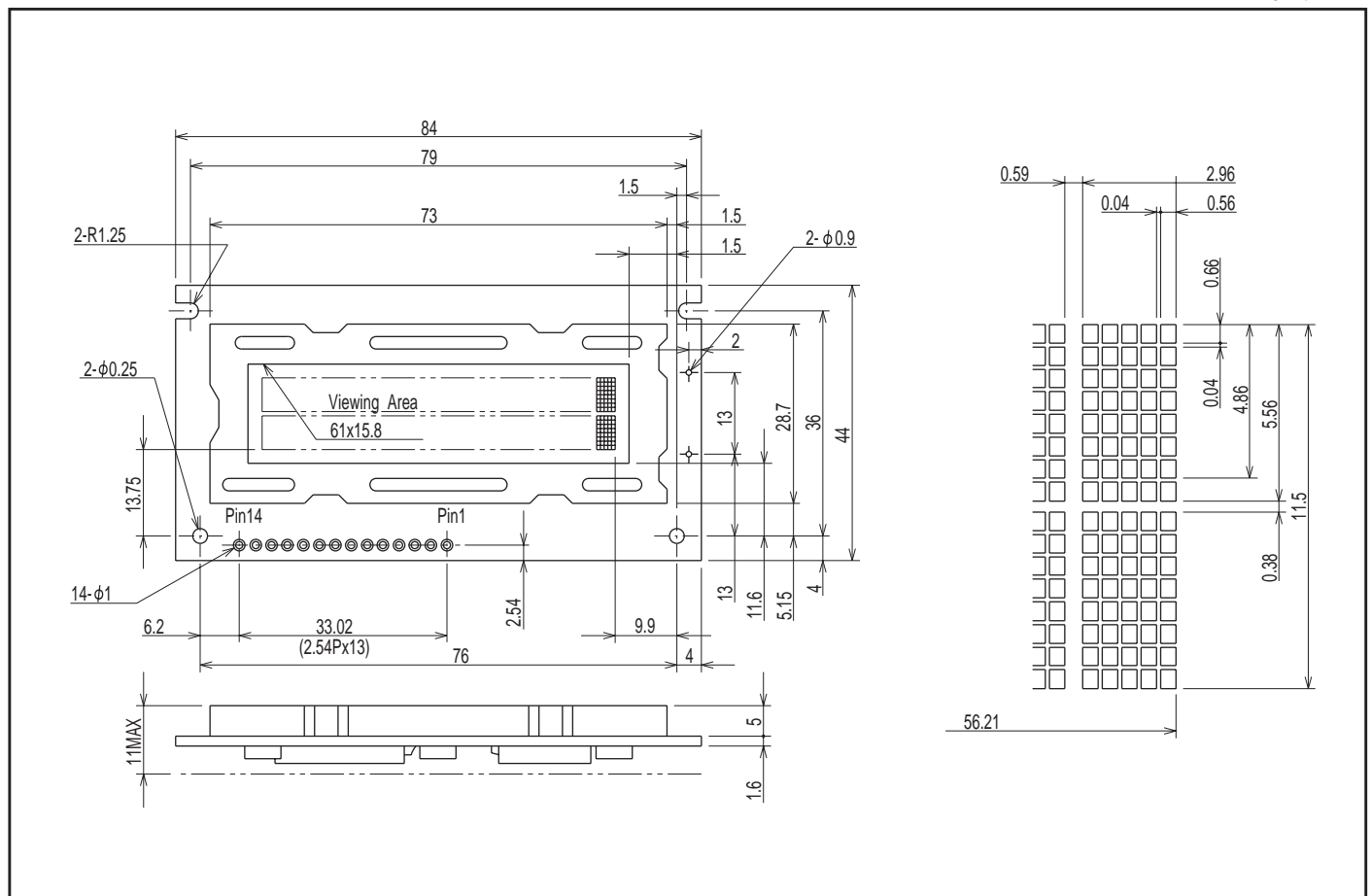
Specifications

Parameter		Unit
No. of characters	16 x 2	-
Character size(H x V)	2.96 x 4.86	mm
Viewing area (H x V)	61.0 x 15.8	mm
Panel type	TN	-
Panel mode	Reflective	-
Viewing direction	6:00	-
Backlight type	-	-
Backlight color	-	-

Parameter		Unit
Power consumption Panel	8	mW
Backlight	-	mW
Supply voltage	5	(V)
Outline dimensions (W x H x D)	84.0 x 44.0 x 11.0	mm
Weight	28	g
Operating temperature	0 to + 50	°C
Storage temperature	-25 to + 70	°C

Outline Dimensions

unit : mm



This datasheet has been download from:

www.datasheetcatalog.com

Datasheets for electronics components.